

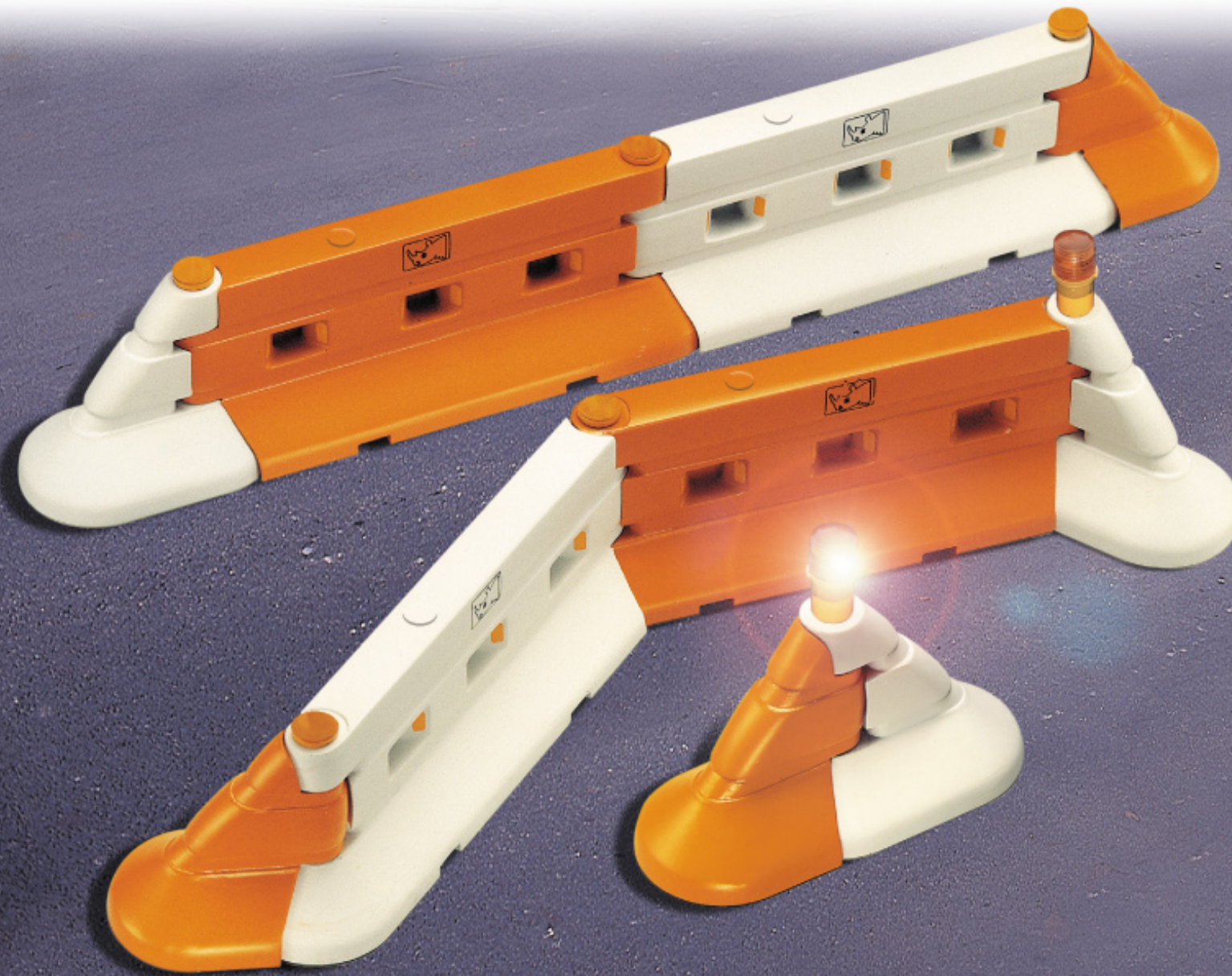
PATENT
PENDING



**RHINO
BARRIERS**

RHINO ROAD BARRIERS ARE MANUFACTURED FROM TOUGH MOULDED POLYETHYLENE. THEY ARE EASY TO CARRY, TRANSPORT, STACK, STORE AND PUT TOGETHER.

One person can easily move an empty barrier into position and the simple pin system allows the barriers to be tightly interlocked for extra strength. **Rhino Barriers** can be filled with water for added weight and stability.



Rhino Road Barriers are a means of delineation for both traffic and pedestrians in a number of situations. They can be used at road works, constructions sites, ports or terminals, airports, concerts and all manner of special events.

Rhino Barriers are simple to use. We've added other features such as safety reflectors, a warning light facility and room for your company signage. We can even manufacture the barriers in your choice of colours, with your logo or identification numbers. This all adds up to loads of heavy duty security.

APPLICATIONS

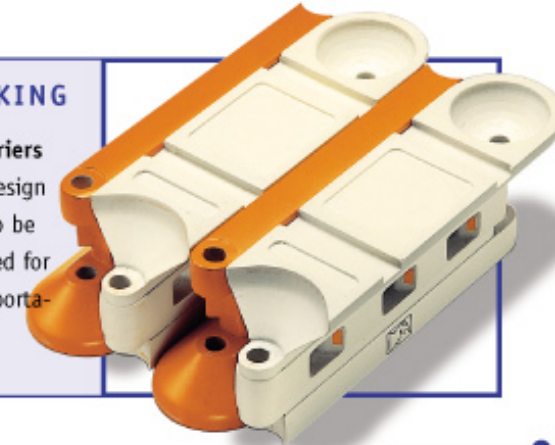
- Road construction sites
- Road closures/works
- Building/work site pedestrian control
- Sporting events
- Shows/galas
- Car Parks
- Any emergencies

ADVANTAGES

- Available in highly visible colours
- Lightweight and easy to handle
- Simple to install with unique hinge pin
- Hinged joint can be turned through 45 degrees
- Semi-retractable hinge pin cannot be lost
- Will accept safety fencing & display banners
- Corporate identification & colours available

EASY STACKING

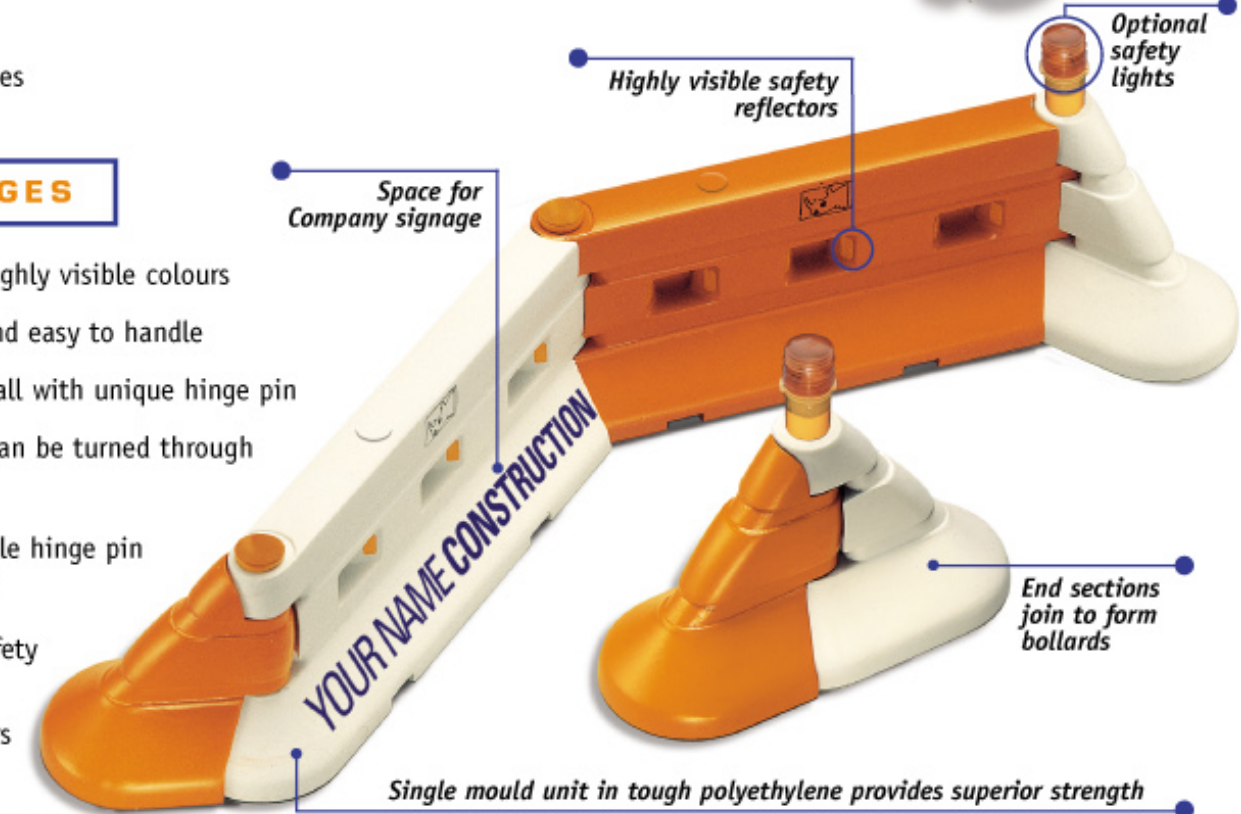
Rhino Road Barriers have a unique design allowing them to be efficiently stacked for storage or transportation.



Space for Company signage

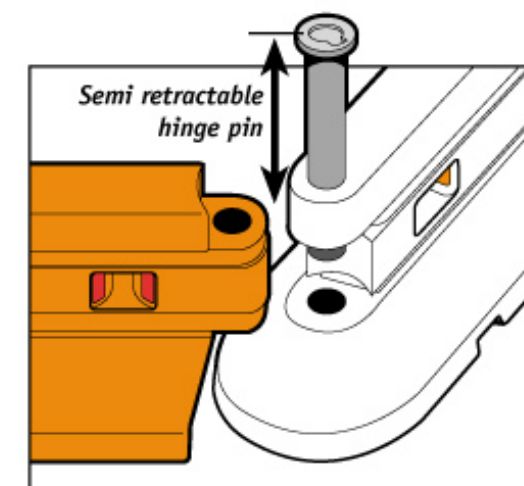
Highly visible safety reflectors

Optional safety lights



Single mould unit in tough polyethylene provides superior strength

End sections join to form bollards



BARRIER SPECIFICATION

	Imperial	Metric
Overall length	90"	2.285m
Overall height	35"	0.885m
Overall base width	25.5"	0.65m
Weight, empty	132/150lb.	60/70kg
Water filling	770lb.	350 kg
Water entry	3" Dia.	75mm Dia.
Water exit	2" Dia.	50mm Dia.



Rhino Safety Barrier LLC
 2500 Gaspar Avenue, Whiting, Indiana 46394-2175
 Tel: 219-659-1152 or 800-292-1305
 Fax: 219-659-0625
 International Fax: 219-473-4467
 Email: sales@RhinoBarriers.com
 Website: <http://www.RhinoBarriers.com>